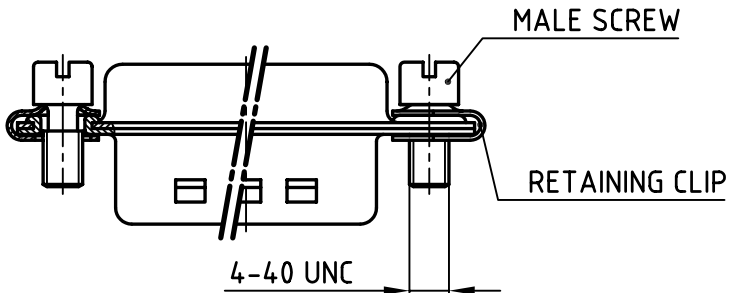
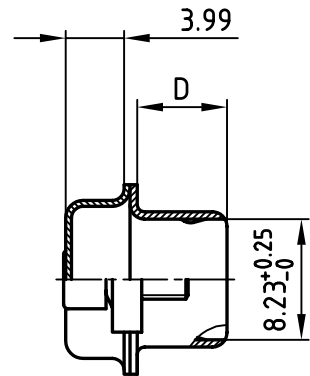
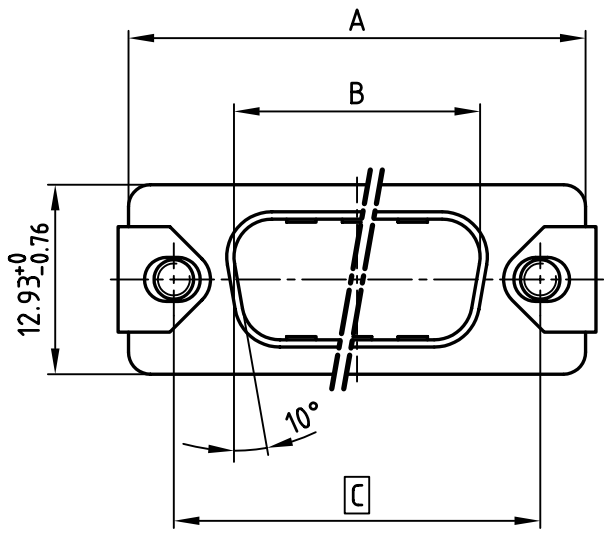


used for: D-SUB



POS.	A -0.76	B -0.25	C	D -0.3	Part no.
9	31.19	16.79	25.00 ^{+0.12} / _{-0.13}	6.12	165X16719X
15	39.52	25.12	33.30 ^{+0.15} / _{-0.1}	6.12	165X16729X
25	53.42	38.84	47.04 ±0.13	5.99	165X16739X
37	69.70	55.30	63.50 ±0.13	5.99	165X16749X

Directive 2002/95/EC
„RoHS“
Compliant

- NOTES:**
1. SCREEN CAP: STEEL; TIN PLATED
 - (b) (c) 2. MALE SCREW: STAINLESS STEEL
 - (b) (c) 3. RETAINING CLIP: STAINLESS STEEL
 4. = CRITICAL DIMENSION: SPC

THIS DRAWING MAY NOT BE COPIED OR REPRODUCED IN ANY WAY, AND MAY NOT BE PASSED ON TO A THIRD PARTY WITHOUT WRITTEN PERMISSION. OWNERSHIP AND COPYRIGHT OF CONEC GmbH DO NOT ALTER CAD DRAWING BY HAND

CONEC CORPORATION BRAMPTON, ONTARIO			tolerance	
2001	date	name	scale: 2:1	
drawn	26.04.	Parei	material: SEE NOTES	
appd.	26.04.	E. Mickenbecker	title: COVERED SCREEN CAP 9-37pos. for socket connector	
norm			dwg no: AutoCAD 2000 DIN-A	
d-old			16K1A184A	
2 x c	Ä 2440	10.02.2006 Lehmen	part no: SEE TABLE	
2 x b	Ä 1872	29.10.2003 Lehmen	4	
rev.	description	date	sh: 1/1	

